



RocketChar 302 Biochar Production Unit

\$50,000 USD



The RocketChar 302 is an extremely energy efficient pyrolyzer packed with features only found on much more expensive biochar equipment

The RC302 does not require any propane or natural gas for startup, just some paper and biomass like wood as all that is needed. The RC302 is extremely energy efficient due to not requiring fans for flue gas or combustion air. This allows the furnace to operate on less than 2 amps of electricity at 110. This is truly the Prius of small scale biochar equipment. This furnace can operate on a wide variety of biomass including wood chips, hemp, crop residues, etc as long as it will flow through a 5" auger which feeds the system. The machine is appx 10 ft tall and has a footprint of 5 ft x 10ft.

Input = 10-25 gallons +/- of biomass per hour

Output = Appx 15-35% by volume.

Heat = Appx 200k BTU/hr is available. We offer different heat exchanger options for air or liquid applications.

Fuel = Biomass that will flow through a 5" auger. No pieces bigger than 1-1/2". MC up to 30%.

Machine has several adjustable features that allow fine tuning for different fuels.

Site requirements = A single 110V outlet.

Stove uses appx 2 amps at 110V while running. Truly the prius of continuous automated biochar equipment.

Biochar quench = Water/steam via pump with adjustable digital controls

Ignition = manual ignition using paper and wood.

Chimney = 8"

Fuel feed system = 10 ft long 5" auger with vibrating bin.

Controls = Color screen, automatic temperature control, data plotting, remote operation via phone/computer, data collection for carbon credit verification. 90V DC gearmotors for speed adjustment and dwell time adjustment.

Options = Air to air and air to liquid heat exchangers.

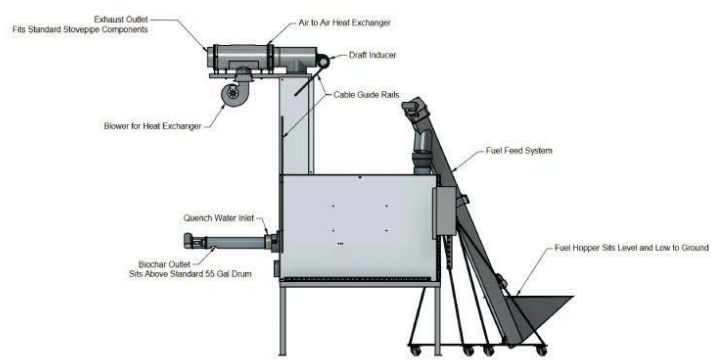
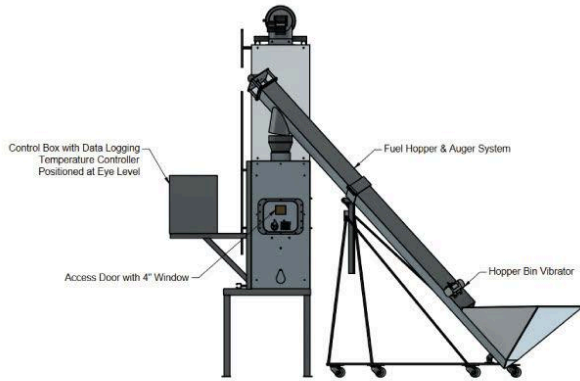
Cost = \$50k USD

Lead time = approximately 120 days

Terms = 50% deposit, remaining 50% due upon completion

Contact | Email: Zach@HPBiochar.com | Phone: 307-343-0367

Assembly & Overview of the RocketChar 302 Biochar Production Unit:



Contact for more info:
 Email: Zach@HPBiochar.com
 Phone: 307-343-0367
 Web: www.HPBiochar.com

QILIPSU

HIGH PLAINS BIOCHAR



High Plains Biochar LLC
 108 Howe Rd Laramie, WY 82070